



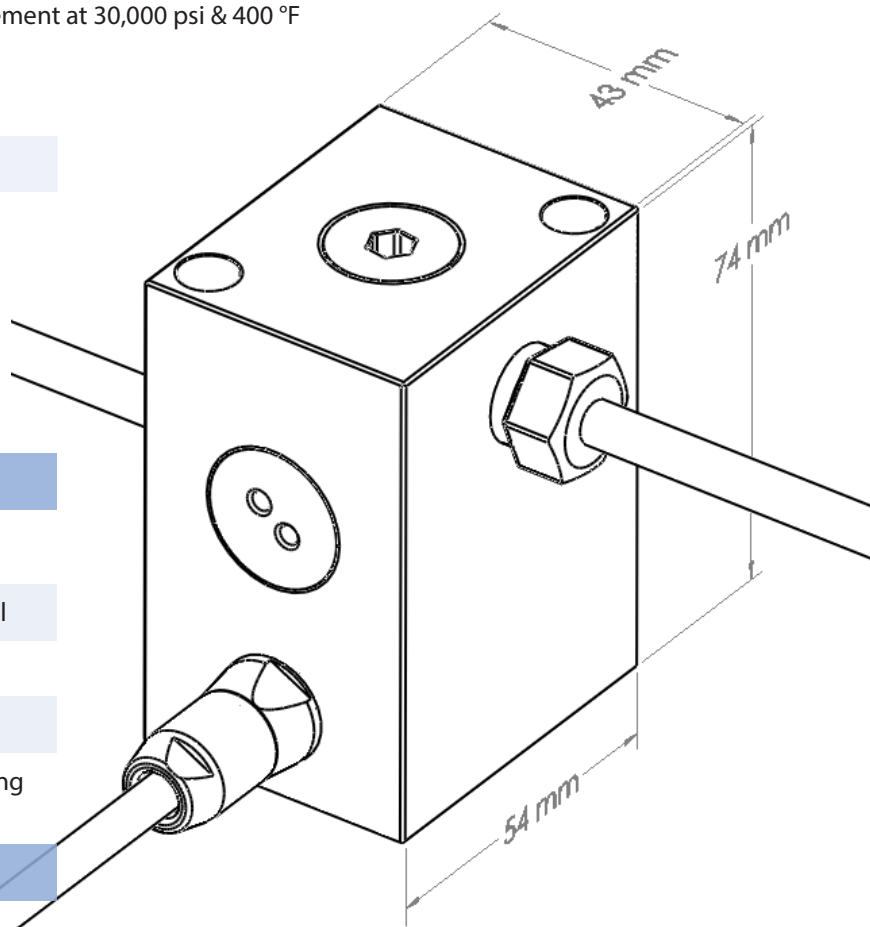
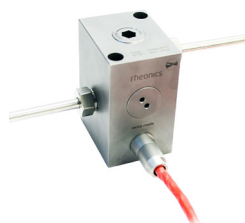
# rheonics

inline process  
density and viscosity  
monitoring

## DVM-PVT

Designed for simultaneous density and viscosity measurement at 30,000 psi & 400 °F

DVM-PVT



### SPECIFICATION<sup>†</sup>

#### FLUID MEASUREMENTS

Viscosity Range	0.2 to 300 cP
Viscosity Accuracy	better than 5% of actual
Density Range	0 – 1.5 g/cc
Density Accuracy	0.001 g/cc
Reproducibility	Better than 1% of reading

#### OPERATIONAL ENVIRONMENT

Temperature Range	-40 to 200 °C
Ambient Temperature	-40 to 200 °C (Bath/Oven)
Pressure Range	0 to 30,000 psi

#### MECHANICAL

Material (Wetted parts)	Titanium Grade 5
Length x Width x Height	54 x 43 x 74 mm
Minimum Fluid Volume	0.7 cc (flow/static)
Connection	1/4" HiP HF4 rated for 2000 bar

#### ELECTRONICS

Operational Temperature	max. 55 °C
Communication	Ethernet, 4-20 mA, RS232
Power Supply	12 V
Hardware Interface	LCD monitor display
Software Interface	Data Acquisition System

www.rheonics.com  
info@rheonics.com  
+1 832 998 0606

<sup>†</sup>subject to change without notice

rheonics



inline process  
density and viscosity  
monitoring



Model view:

DVM 3D Model - all dimensions in mm.

*www.rheonics.com*  
*info@rheonics.com*  
*+1 832 998 0606*

©Rheonics, Inc and Rheonics GmbH